

## Jet Fan IV smart

Concentrated power in a compact design.  
The IV smart fan for car parks.



# Big power for small spaces.

IV smart



The new IV smart, Systemair's smallest jet fan, is perfectly suited for use in car parks where ceiling clearances are tight. Despite its compact size, the fan packs a real punch when it comes to air performance thanks to its pair of parallel centrifugal fans, and helps keep your garage safe. The use of 230 V EC fans also keeps installation and operating costs down. High energy efficiency and easy assembly are further standard features which make the IV smart an attractive solution

## Overview of the most important benefits

- Green Ventilation jet fan with energy-efficient EC technology for day-to-day ventilation, CO monitoring and cold smoke extraction. For you as a HVAC planner or garage operator, all requirements you have whilst also saving energy
- Currently the most compact jet fan on the market. You get a safe solution even for car parks with low ceilings
- Low weight and integrated galvanised steel ceiling mount. Can be mounted quickly, easily and safely
- Available in 50/60 Hz, 230 V EC motors with IP 44, as per EN 60034-5/IEC 85. No expensive supply cables are required, making the technology extra efficient both in terms of energy and cost
- Two parallel sileo centrifugal impellers manufactured from composite material. You benefit from high air volume, high efficiency, high corrosion resistance and quiet running
- Aerodynamically optimised outlet. You benefit from laminar air flow and perfect air mixing

## When you need to get the most from limited space...





## Green Ventilation – The standard for efficient car park ventilation

Green Ventilation EC fans are intelligent fans. An integrated motor electronic always ensures optimal fan operation. Compared to a conventional AC motor, the efficiency is much higher. Especially in control mode, the operation of EC motors is much more economical than AC motors.

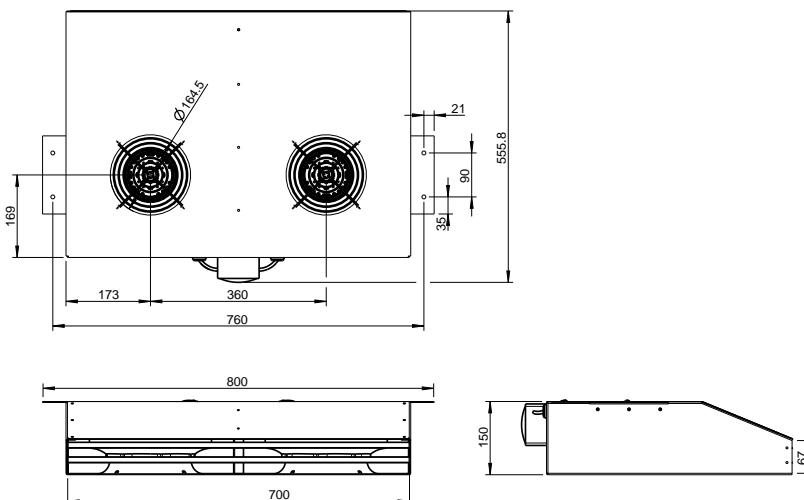
Thanks to the specially developed aerodynamically-optimized impellers and a special discharge guide vane, the Jet Fan IV smart has the best efficiency in its class.



### Technical data

IV smart		AC	EC
Art. no.		38372	38373
Voltage/Frequency	50/60 Hz	230 V	230 V
Phase		~ 1	1
Fan impeller speed	l/min	2730/3020	2630
Power	kW	0,46/0,71	0,35
Current	A	1,9/3	2,6
Thrust	N	12/13	12
Max. airflow	m <sup>3</sup> /s	0,65/0,71	0,63
Sound pressure level at 3m (20m <sup>2</sup> Sabine)	dB(A)	73/74	72
Weight	kg	20	17

### Dimensions



All dimensions in mm.

