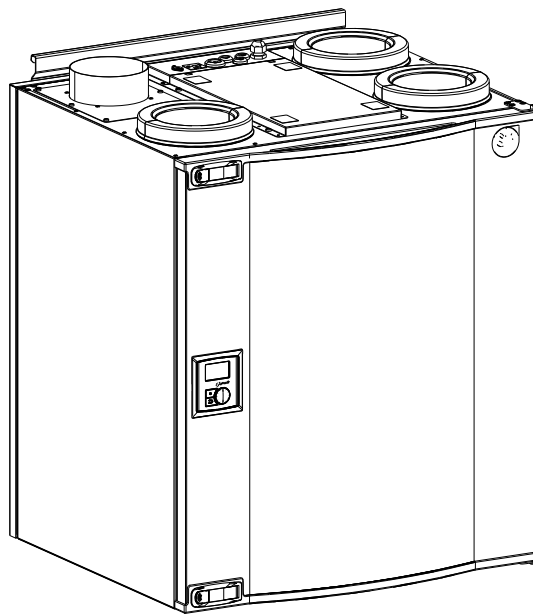


SAVE VTC 200



GB User Manual

© 2013 Copyright Systemair AB

Systemair AB can accept no responsibility for possible errors in catalogues, brochures and other printed material. Systemair AB reserves the right to alter its products without notice. This also applies to products already on order provided that such alterations can be made without subsequent changes being necessary in specifications already agreed.

All rights reserved.

Contents

1 Warnings.....	1
2 Product description	1
2.1 Left and Right models	1
3 Configuration	2
3.1 Control panel	2
3.1.1 Display symbols.....	3
3.2 Setting the temperature	3
3.3 Manual setting of fan speed	4
3.4 Programming the week schedule.....	5
3.5 Manual and automatic summer mode	5
4 Maintenance of the unit	6
4.1 Warnings	6
4.2 Open the front hatch.....	6
4.3 Changing filters	7
4.4 Resetting the filter time	8
4.5 Checking and cleaning the heat exchanger	9
4.6 Cleaning the fans	10
5 Duct system maintenance	11
5.1 Cleaning extract louvres and supply air diffusers	11
5.2 Checking the outdoor air intake	11
5.3 Checking the roof cowl (if fitted).....	11
5.4 Checking and cleaning the duct system	11
6 Trouble shooting	12
6.1 Alarm list.....	13
6.2 Type label	14

1 Warnings

The following admonitions will be presented in different sections of the document:

Danger

- Make sure that the mains supply to the unit is disconnected before performing any maintenance or electrical work!
- All electrical connections and maintenance work must be carried out by an authorized installer and in accordance with local rules and regulations.

Warning

- The system should operate continuously, and only be stopped for maintenance/service.
- The installation of the unit and complete ventilation system must be performed by an authorized installer and in accordance with local rules and regulations.
- Beware of sharp edges during mounting and maintenance. Use protective gloves.
- Although the Mains supply to the unit has been disconnected there is still risk for injury due to rotating parts that have not come to a complete standstill.
- Make sure that filters are mounted before starting the unit.
- This product must only be operated by a person which has suitable knowledge or education within this field or carried out with the supervision of a suitably qualified person.

Caution

- Do not connect tumble dryers to the ventilation system.
- Duct connections/duct ends must be covered during storage and installation.

2 Product description

The SAVE VTC 200 is a heat recovery ventilation unit with a built in counter flow heat exchanger. The SAVE VTC 200 is suitable for houses with up to 160 m² heated living area. It supplies filtered outdoor air to residential areas and extract air from bathroom, kitchen and wet rooms.

2.1 Left and Right models

There are two model options, right (R) and left (L) model. The different models are recognized by the placing of the internal components and the supply air outlet, which is situated on left side of the unit on an (L) unit and on the right hand side on an (R) unit.

Note:

This document describes a left (L) model.

3 Configuration

3.1 Control panel

Connect the unit electrically to the mains with the enclosed plug and check that it starts up correctly.

The control panel is used to make the necessary adjustments.

An external control panel can be connected on the top of the unit.

The illustration below shows the control panel with a short description.

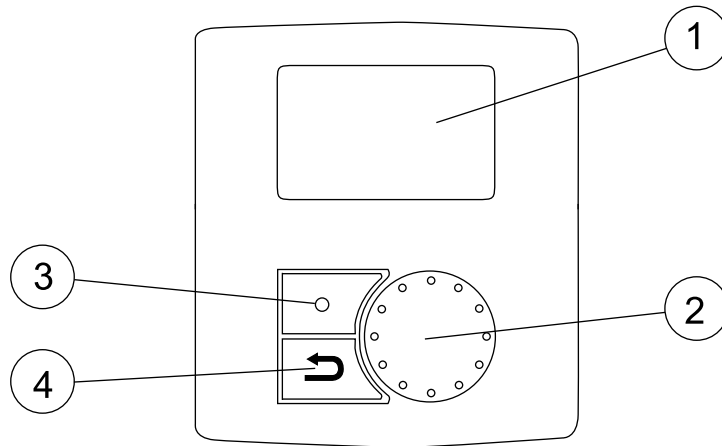
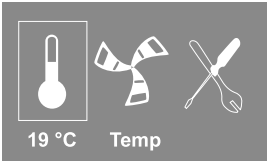










Fig. 1 Control panel

Position	Description	Explanation
1	Display	Shows symbols, menus and settings
2	SELECTION knob	Move through the menu lists or change settings and values by turning the knob left or right
3	ENTER button	ENTER menu choices or settings by pressing the button
4	RETURN button	Step RETURN in the menu levels and to abort an initiated parameter change and restore the original value by pressing the button

3.1.1 Display symbols

Symbol	Description	Explanation
	Temp	<p>Illustrates the current set-point for supply air temperature (from completely empty to filled symbol).</p> <p>Turn the SELECTION knob to choose temperature.</p> <p>Press ENTER to save the setting.</p>
	Fan speed	<p>Illustrates the current fan speed. The fan speed can be set manually in 4 steps: Off, Low, Nom and High.</p> <p>Turn the SELECTION knob to choose fan speed.</p> <p>Press ENTER to save the setting.</p> <div style="display: flex; justify-content: space-around; align-items: center;">      </div> <p style="text-align: center;">A B C D E</p> <p>A. Ventilation off.¹</p> <p>B. Low ventilation: Can be used when leaving the building for a longer period</p> <p>C. Nominal ventilation: Will give required air change under normal conditions.</p> <p>D. Maximum ventilation: To increase the airflow if necessary.</p> <p>E. When demand control is activated, fans should go to "auto mode" and regulate after the pre-setting for the demand control settings.</p>
	Service	Press ENTER to access the service menu.
	Alarm	Press ENTER to access the alarm list.

1. The fan can be set to OFF by activating manual fan stop. See service menu description under functions.

Warning

It is not recommended to activate manual fan stop (set fan to OFF) in standard households. If manual fan stop is activated, the unit should be provided with dampers in exhaust and fresh air ducts to avoid cold draught and risk of condensation when the unit has been stopped.

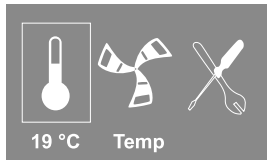
3.2 Setting the temperature

The supply air temperature is set manually in steps of 1 K in the main menu display by choosing the temperature symbol.

If an electrical re-heater is installed the temperature setpoints are: 12-22 °C. For installed water re-heater the setpoints are: 12-40 °C.

If the re-heater is deactivated, the temperature steps are: 15-19 °C. Default value: 15.0 °C.

Each temperature step is illustrated by increasing the filling of the temperature symbol and the temperature is shown in the display



An unfilled temperature symbol will activate manual summer mode. See chapter 3.5

3.3 Manual setting of fan speed

It is possible, at any time, to manually set the fan speed in the main menu display. By choosing the fan symbol and confirming, it is possible to increase or decrease the fan speed in the 4 steps: Off, Low, Nom and High. By doing so, you override the programmed week schedule for the unit until the end of the present time period in the week program.




Note:

The fan can be set to OFF by activating manual fan stop. See the Installation and Service manual, chapter Service menu overview: *Manual fan stop*.

It is not recommended to activate manual fan stop (set fan to OFF) in standard households. If manual fan stop is activated, the unit should be provided with dampers in exhaust and fresh air ducts to avoid cold draught and risk of condensation when the unit has been stopped.

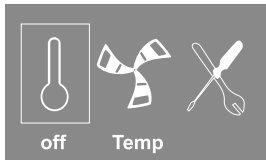
3.4 Programming the week schedule

Set the week schedule according to below procedure:

<p>1. Go to the service menu by using the SELECTION knob.</p>	
<p>2. Enter the service level by typing the password, default 1111. Use the SELECTION knob for each digit and confirm with the ENTER button after each set digit and choose "NO" for the system not be locked.</p>	<p>Password Password XXXX Locked YES/NO</p>
<p>3. Go to: Week program</p>	<p>Service Week program</p>
<p>4. Choose Week program again.</p>	<p>Week program Fan speed</p>
<p>5. Set week day and time you want the unit to be in ON level. Two periods per day can be programmed. The rest of the time the unit will be in OFF level.</p>	<p>Week program Day: MON Per 1: 07:00 16:00 Per 2: 00:00 00:00</p>
<p>6. Go back to the previous dialogue frame with the RETURN button and go down to Fan speed.</p>	<p>Week program Fan speed</p>
<p>7. Set which fan speed the fan is supposed to be running in the ON level, choose between Low, Nom, High or Auto.</p> <p>Set which fan speed the fan is supposed to be running in the OFF level, choose between OFF, Low, Nom or High.</p> <hr/> <p>Note:</p> <p>If an electrical re-heater battery is installed and active and the unit is shut down from the control panel, for example by choosing OFF. When the unit is in OFF level in the week program, the fans will continue to run for 3 minutes, to prevent the heater from triggering the over heat protection sensor, before they stop.</p>	<p>Fan speed On level: low/nom/high/auto Off level: off/low/nom/high</p>
<p>8. Step back with the RETURN button until you reach the main menu display</p>	

3.5 Manual and automatic summer mode

Manual summer mode occurs if no temperature step is selected. The temperature symbol on the main menu is then completely empty.



If the electrical re-heater is activated, it will switch off during manual summer mode. Manual summer mode goes automatically to step 1 (setpoint 12 °C) after two minutes if the supply air temperature is +5 °C or below.

If a water heater battery is installed and activated, the manual summer mode goes automatically to step 1 (setpoint 12 °C) if the outdoor air or supply air temperature is +5 °C or below.

The unit will automatically alternate between winter operation with heat recovery and summer operation without heat recovery.

4 Maintenance of the unit

Maintenance of the SAVE VTC 200 should normally be performed 1-2 times a year.

4.1 Warnings

Danger

- Make sure that the mains supply to the unit is disconnected before performing any maintenance or electrical work!
- All electrical connections and maintenance work must be carried out by an authorized installer and in accordance with local rules and regulations.

Warning

- The system should operate continuously, and only be stopped for maintenance/service
- Although the mains supply to the unit has been disconnected there is still risk for injury due to rotating parts that have not come to a complete standstill
- Beware of sharp edges during maintenance. Use protective gloves
- Make sure that filters are mounted in their place before running the system
- This product must only be operated by a person which has suitable knowledge or education within this field or carried out with the supervision of a suitably qualified person.

4.2 Open the front hatch

Danger

- Make sure that the Mains supply to the unit is disconnected before performing any maintenance or electrical work!

Open the hatch with the two latches and swing the hatch open.

4.3 Changing filters

Danger

Make sure that the Mains supply to the unit is disconnected before performing any maintenance or electrical work!

The filters are to be changed every 6/9/12/15 months, default value is 12 months. When the filters have been changed the filter timer must be reset. See chapter 4.4.

The factory installed filters are of filter quality G4 for the supply air and G4 for the extract air filter. The filters need to be replaced when polluted. New sets of filters can be acquired from your installer or wholesaler.

Filter quality F7 can be installed for supply air filtering.
The filter type is labelled on the top of the filter.

Caution

If the filter types are changed, the heat recovery system may need re-configuration to function optimally.

If type F7 filters are used instead of G4 , the system curve for Supply Fan (SF) must be changed:

For F7 type filter: 11–20, for G4 type filter: 1–10. See Installation and Service Instruction.

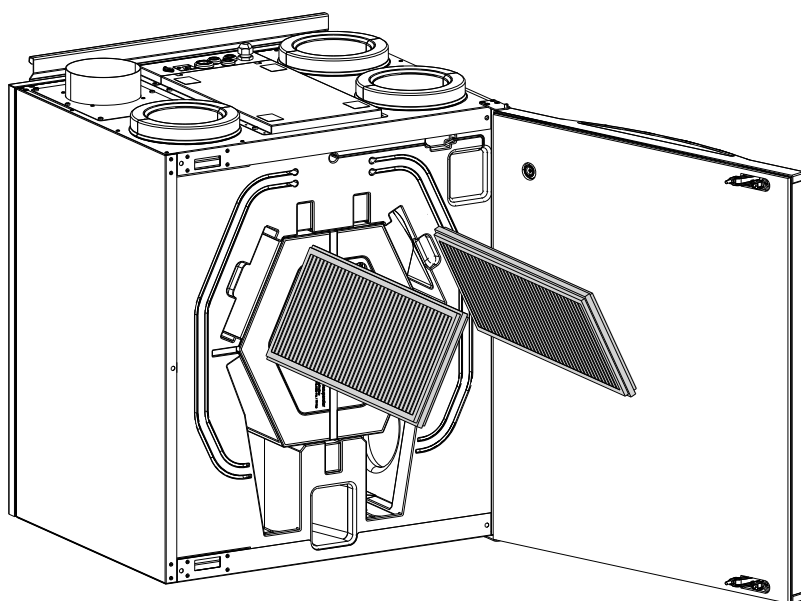



Fig. 2 Remove filter

4.4 Resetting the filter time

<p>1. Go to the service menu by using the selection knob.</p>	
<p>2. Enter the service level by typing the password. Use the SELECTION knob for each digit and confirm with the CONFIRM button after each set digit and choose "NO" for the system not be locked.</p>	<p>Service ->Password Locked YES/NO</p>
<p>3. Go to: Filter period, press CONFIRM. Choose: Reset: YES with the SELECTION knob and then CONFIRM. Change, if necessary, Time to replace X month, to the time of your choice with the SELECTION knob and then press CONFIRM. Press the BACK button until you reach the main menu.</p>	<p>Filter period Time to replace: 6/9/12/15 month Reset NO/YES</p>

4.5 Checking and cleaning the heat exchanger

Danger

Make sure that the Mains supply to the unit is disconnected before performing any maintenance or electrical work!

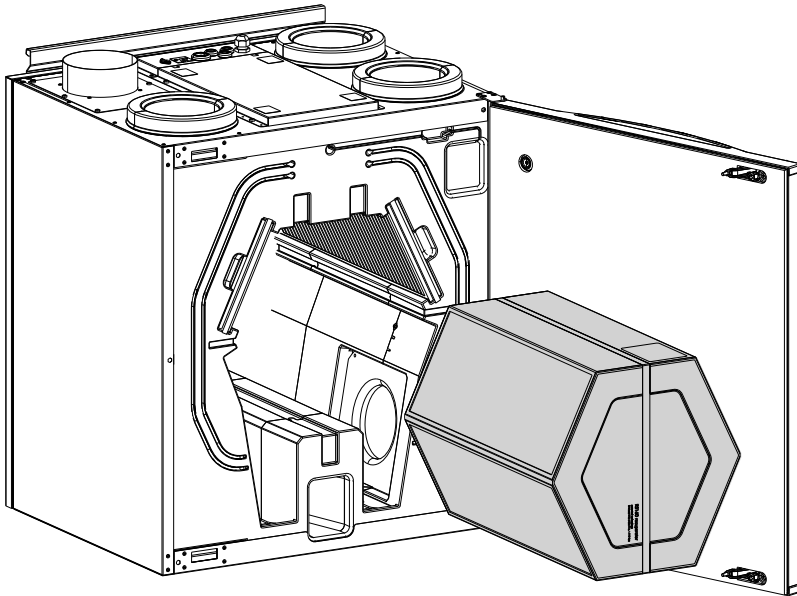


Fig. 3 Heat exchanger

Even if the required maintenance is carried out, dust will build up in the exchanger block. It is therefore of vital importance for the upkeep of a high efficiency that the exchanger block is removed from the unit and cleaned periodically as described below. Clean the heat exchanger at least every 3 years or when required.

1. Stop the unit by disconnecting the mains.
2. Open the front hatch. See chapter 4.2.
3. Pull out the exchanger using the strap in front.
4. Gently vacuum the exchanger.
5. Remount the heat exchanger.
6. Close and lock the front hatch and connect the unit to mains.

4.6 Cleaning the fans

Danger

- Make sure that the Mains supply to the unit is disconnected before performing any maintenance or electrical work!

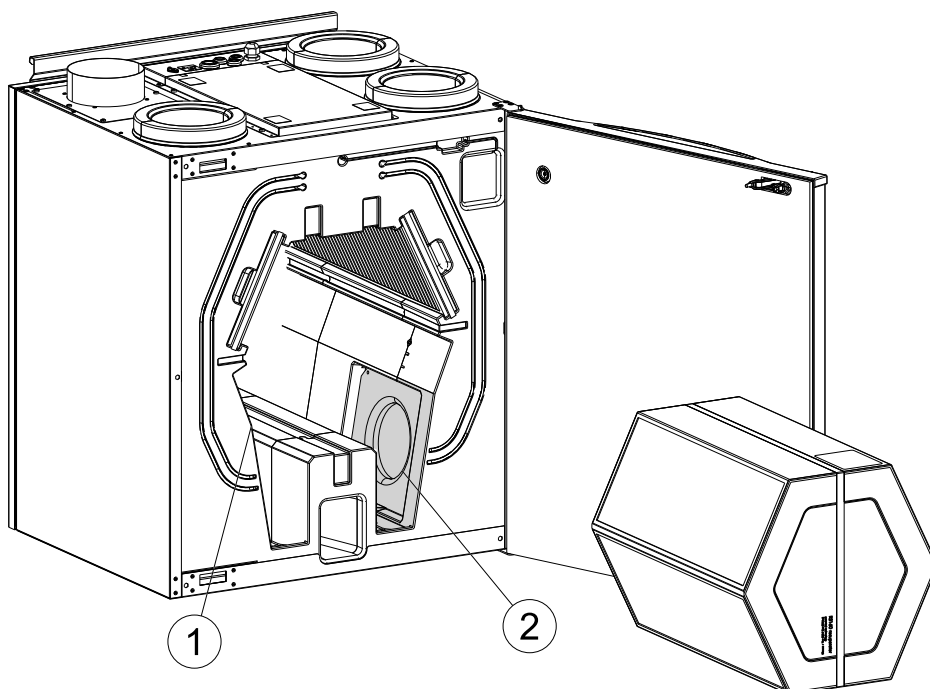


Fig. 4 Supply (pos 1) and extract (pos 2) air fans

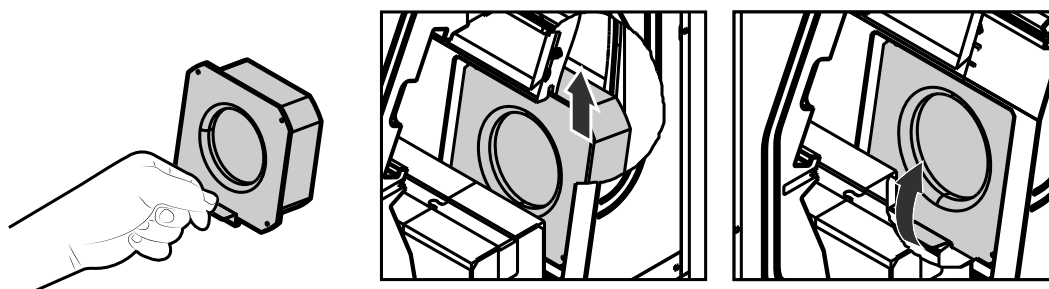


Fig. 5 Cleaning the fans

The motor bearings are life time lubricated and maintenance free.

Even if the required maintenance, such as changing of filters is carried out, dust and grease may slowly build up inside the fans. This will reduce the efficiency.

The fans may be cleaned as described below.

1. Stop the unit by disconnecting the mains.
2. Open the front hatch, see chapter 4.2.
3. Remove the exchanger, see chapter 4.5
4. Disconnect the fan power cables. The cables are found beside the fans.
5. Lift the fans up using the attached metal bracket and pull to the center of the unit.
6. Take the fans out.

7. Clean the fans with a cloth or a soft brush. Do not use water. White spirit can be used to remove obstinate deposits. Allow the fans to dry properly before remounting.
8. Remount the fans. Don't forget to reconnect the fan power cables.
9. Remount the exchanger.
10. Close the front hatch and connect the unit to mains.

5 Duct system maintenance

5.1 Cleaning extract louvres and supply air diffusers

The system supplies fresh air to your home and extracts the used indoor air via the duct system and diffusers/louvres. Diffusers and louvres are mounted in ceilings/walls in bedrooms, living room, wet rooms, WC etc. Remove diffusers and louvres and wash in hot soapy water as required (diffusers/louvres must not be exchanged). Cleaning of diffusers/louvres can be done as necessary.

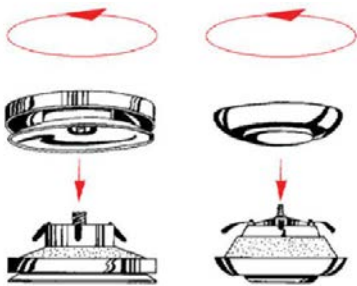


Fig. 6 Diffusers and louvres

5.2 Checking the outdoor air intake

Leaves and pollution could plug up the air intake grille and reduce the capacity. Check the air intake grille, and clean as necessary. It is recommended to do this at least twice a year.

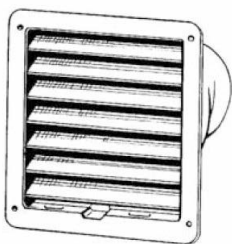


Fig. 7 Intake grille

5.3 Checking the roof cowl (if fitted)

The roof cowl (if fitted) connected to the exhaust air duct needs to be checked at least twice a year and cleaned if necessary.

5.4 Checking and cleaning the duct system

Dust and grease deposits may build up in the duct system, even if required maintenance such as changing of filters is being carried out. This will reduce the efficiency of the installation.

The duct runs should therefore be cleaned/changed when necessary. Steel ducts can be cleaned by pulling a brush soaked in hot soapy water through the duct via diffuser/louvre openings or special inspection hatches in the duct system (if fitted).

It is recommended to do this every 5 years and is normally carried out by authorized companies specialized in this area.

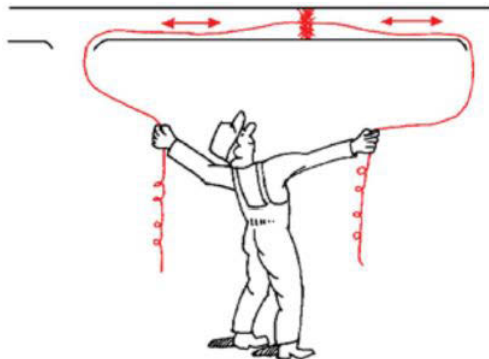


Fig. 8 Cleaning duct system

6 Trouble shooting

A warning triangle with text in the display indicates an alarm. Turn menu selector to the warning triangle and press confirm twice to view the alarm.

Danger

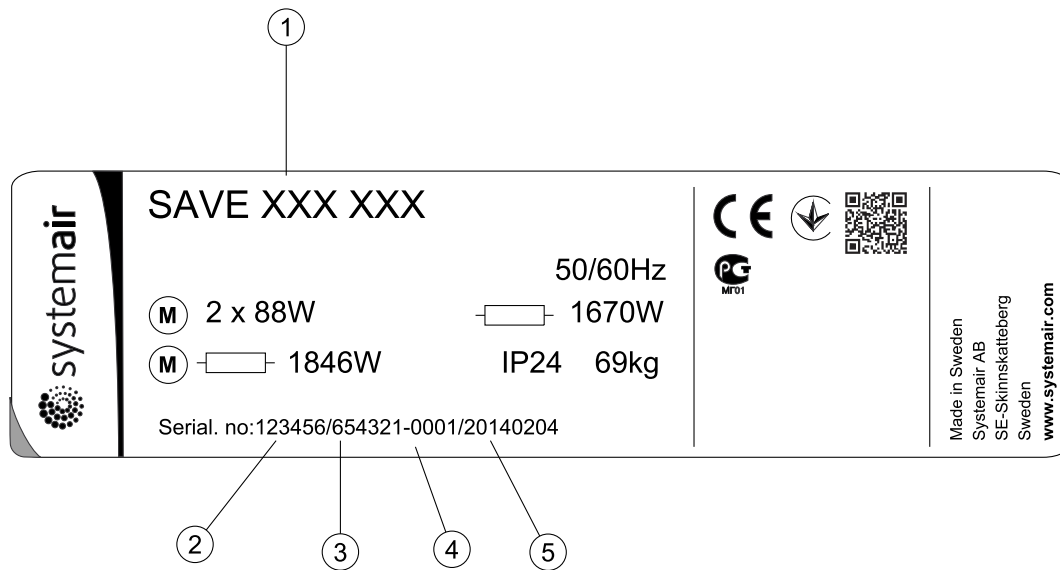
Make sure that the mains supply to the unit is disconnected before performing any maintenance or electrical work on the unit!

6.1 Alarm list

Alarm	Explanation	Do the following
Fan	Indicates error on either supply or extract air fan.	<p>The alarm is displayed in the control panel.</p> <p>Check that quick connectors are connected for the both fans.</p> <p>Contact your installation company or place of purchase.</p>
Frost	Indicates triggered frost protection (in case of installed water heating battery) or triggered overheat protection (in case of installed electric re-heater battery).	<p>A triggered frost protection alarm results in the following:</p> <ul style="list-style-type: none"> • Both fans stop. • Outdoor and exhaust air dampers closed. • Water valve opens completely (10 V signal goes out to the actuator). <p>The unit will restart once the water temperature reaches +5°C above the set frost protection temperature.</p> <p>A triggered over heat protection for a electrical re-heater gives an alarm in the control panel.</p> <p>If the supply air temperature falls below +5 C°.</p> <p>For reset see electrical re-heater manual.</p> <p>If the problem continues contact your installation company or place of purchase.</p>
Damp	Indicates malfunction in bypass damper	<p>The alarm is displayed in the control panel.</p> <p>The unit will not be able to use the bypass damper for temperature control.</p>
PbFail	Error in connection with relay card for the electrical pre-heater (if installed and activated).	<p>The alarm is displayed in the control panel.</p> <p>The heater will not be activated.</p> <p>If triggered overheat protection in the pre-heater, see electrical pre-heater manual.</p>
Temp	Malfunction in one or more of the temperature sensors.	<p>The alarm is displayed in the control panel.</p> <p>Contact your installation company or place of purchase.</p>
Filter	Time for filter change.	<p>The alarm is displayed in the control panel.</p> <p>Change filter according to instructions in the user guide.</p>

6.2 Type label

Before calling your service representative, make a note of the specification and production number from the type label, which can be found on the side of the units, next to the external connections.



Position	Description
1	Product code (product specification)
2	Product item number
3	Production order number
4	Consecutive number
5	Production date (YY.MM.DD)

Systemair AB reserves the right to make changes and improvements to the contents of this manual without prior notice.



Systemair AB
Industrivägen 3
SE-739 30 Skinnkatteberg, Sweden

Phone +46 222 440 00

Fax +46 222 440 99