

DISPLACEMENT FREE COOLING



DFC 350 DISPLACEMENT FREE COOLING

The Dantherm DFC 350 is a slim passive cooling unit utilising the displacement free air cooling technology. The unit is designed to remove excess heat from small rooms with electronic equipment.

The DFC 350 is the perfect choice when installed in small rooms for electronic equipment with stagnant air. Because of the displacement technology, the DFC is more energy-efficient than traditional free cooling units.

Due to a low air flow and fan speed, the DFC operates with a very low noise level.

Read more about displacement cooling efficiency and function in the technology section on our website. For rooms without stagnant air, we recommend the Dantherm Flexibox series.

FEATURES AND BENEFITS

Energy efficiency and environment

- Total heat management: energy-efficient cooling is first choice. Only when free cooling is not sufficient, air conditioning will be activated.
- F5 displacement bag filter. Fine-filtered air is introduced to the room. Keeps the room clean from unwanted particles.
- Quick overview of status and alarms on LCD display. Status displayed in clear text: efficient service. No laptop needed.
- Timer function. Easily activated for service personnel. Safety: returns to normal operation after 20 minutes.
- Quick and quality-assured service - full self-test.
- Security of operation: built-in filter monitor provides alarm signal and enables planning of service visits.

Cabinet & controller

- Compact cabinet for indoor mounting
- Constructed of sheet metal (Aluzinc AZ150)
- ACUE 3000 - 48 V DC Controller, wall-mounted (see datasheet)
- TKS 3000A - 230 V AC Controller, wall-mounted (see datasheet)

Optional features

- Outdoor temperature sensor for use with active cooling unit
- F6 bag filter.

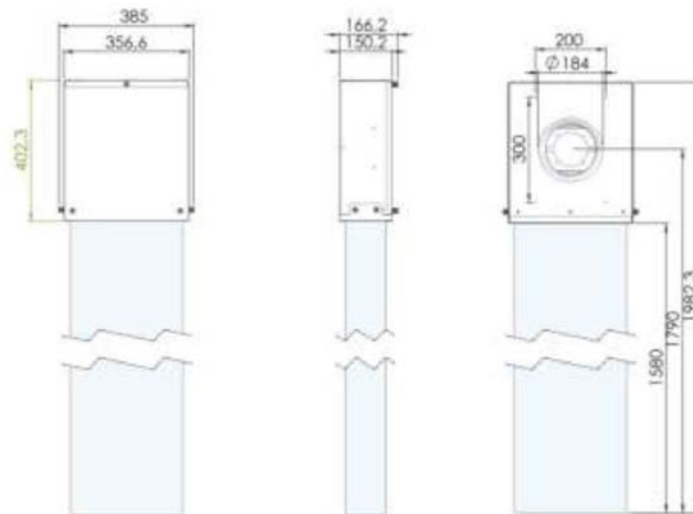
Obtain optimal displacement cooling function:

- Install the unit in rooms up to 12 m².
- Observe request for stagnant air - avoid installation in rooms with obvious turbulent air streams from equipment (internal fans).

TECHNICAL DATA
DFC 350

Version	Unit	48V DC DC-fan	230V AC EC-fan
Item number			299763 – variant
F5 bag filter item number			299821
F6 bag filter item number			067335
Maximum air flow	l/s	143	143
Maximum air flow	m ³ /h	514	514
Max displacement cooling capacity up to 1.6 meters above floor	w/k	600	600
Cooling capacity up to 1.6 m above floor at $\Delta t=5^{\circ}\text{C}$	kW	3	3
Fan max. current	A	2.3	0.9
Maximum power consumption	W	40	35
Power consumption, standby	W	3	3
Sound pressure at max cooling capacity (full speed, 5m distance from shelter)	dB(A)	36	34
Filter	Class	F5 Bag	F5 Bag
Filter area	m ²	2.0	2.0
Height	mm	1982	1982
Width	mm	385	385
Depth	mm	166	166
Weight	kg	10	10
Controller		ACUE 3000	TKS 3000
Air intake cut-out dimensions	mm	Ø245	Ø245

DIMENSIONS



FLOW CHART

