

Plenum box



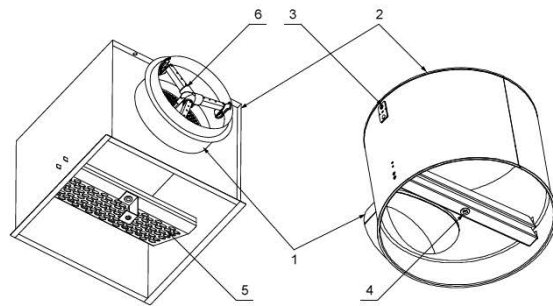
The PB-VVK is produced in 2 types of shapes round (PB-VVK-R) or square (PB-VVK-S), with a horizontal or a vertical connection and with internal or external insulation. The plenum box is made of galvanized sheet as a standard.

There are 2 types of connection:

- D1: a simple spigot without a seal, with a damper
- D2: a pressed spigot with a seal including the Zeus damper (damper information available on page 15)

Ordering codes

	PB-VVK-
Plenum box face round	R
Plenum box face square	S
Size	300 - 825
Supply with mesh screen	S
Extract without mesh screen	E
Horizontal connection (from the side)	H
Vertical connection (from the top)	V
Untax spigot with a damper ¹	D1
Pressed tight spigot with the Zeus damper ¹	D2
With internal insulation, 14 mm ²	I2
With external insulation ²	J



Product parts description:

1. Spigot
2. Casing
3. Hanging bracket
4. Bridge with a rivet nut for connection to a diffuser
5. Mesh screen with a rivet nut for connection
6. Damper

Fig. 4: Product PB-VVK

Ordering codes example:

PB-VVK - S - 300 - S - H - I2

Square plenum box with size 300, supply with mesh screen, horizontal connection (from the side), spigot type D1, internal insulation.

1. If the spigot type is not entered in the ordering code, type "D1" will be supplied by default. It is not possible to order the Zeus damper for the product PB-VVK-R with horizontal connection. Plenum boxes with a vertical spigot D2 are supplied without a mesh screen.
2. In case the insulation type is not entered in the ordering code, the product PB-VVK will be supplied without insulation.

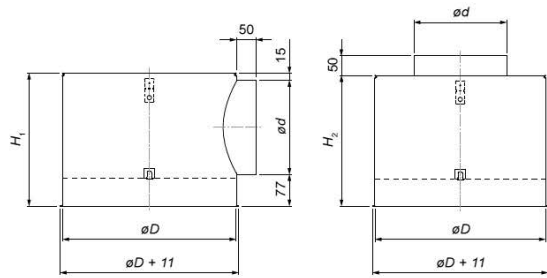


Fig. 5: Main dimensions of the PB-VVK-R

Size	øD	H ₁ (horiz.)	H ₂ (vert.)	ød	m	
					horiz.	vert.
(mm)					(kg)	
300-160	275	250	200	158	2,29	1,97
400-200	364	290	200	198	3,34	2,82
500-200	470	290	200	198	4,68	3,91
600-200	575	290	300	198	6,21	6,31
600-250	575	340	300	248	6,68	6,23
625-200	595	290	300	198	6,52	6,92
625-250	595	340	300	248	7,00	6,55
800-315	775	405	300	313	11,35	10,46
825-315	795	405	300	313	11,83	10,88

Tab. 4: Main dimensions of the PB-VVK-R

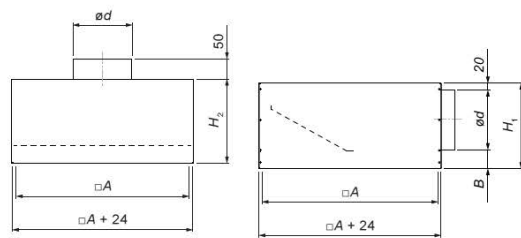
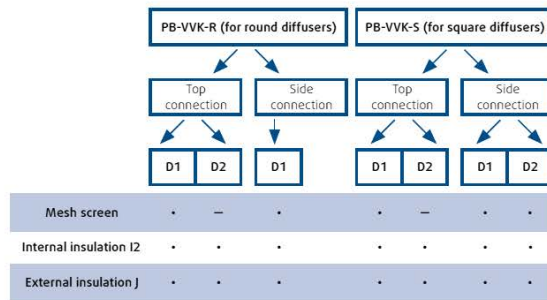


Fig. 6: Main dimensions of PB-VVK-S

Size	A	H ₁ (horiz.)	H ₂ (vert.)	ød	B	m	
						horiz.	vert.
(mm)						(kg)	
300-160	266	240	200	158	62	2,58	2,39
400-160	366	240	200	158		3,62	3,43
400-200	366	280	200	198		3,98	3,65
500-200	466	280	200	198		5,27	4,74
600-200	566	280	300	198		6,71	7,19
600-250	566	330	300	248		7,42	7,31
625-200	591	280	300	198		7,11	7,63
625-250	591	330	300	248	7,81	7,73	
800-315	766	400	300	313	67	13,63	12,03
825-315	791	400	300	313		14,22	12,61

Tab. 10: Main dimensions of the PB-VVK-S

Plenum box selection diagram



Legend

D1	- Untight socket with a sheet-metal control damper
D2	- Pressed tight socket with a Zeus damper
xxxx	- Defined selection option
•	- Option to add a position to the selection
–	- Not possible to add a position to the selection

The Zeus damper

The Zeus control damper contains impulse tubes for measuring differential pressure using a portable measuring device. It can be adjusted manually using a cable gearing.



NOTE: In case of using PB-VVK-R with horizontal connection it is not possible to use the Zeus damper.